

# Masport®

## DOMESTIC ROTARY MOWERS

### SERIES 18

Part Number

965831

Model

450ST 2'n1 20

Engine

B&S Series 550EX

Month and Year of Manufacture: May 2020

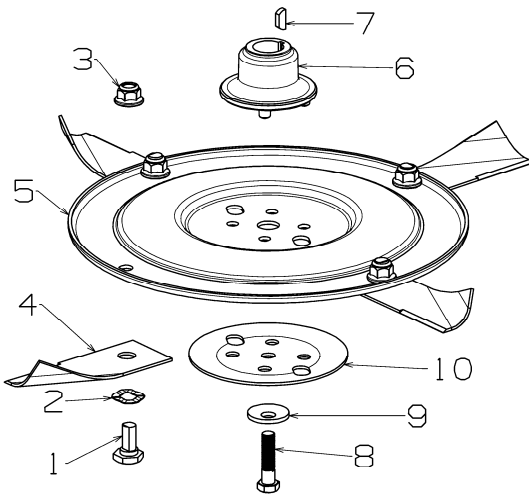
Starting Serial Number: 8455239



Issue A.0  
ECN 04184  
June 2020 PB  
REF # 765831S



## 460mm Disc Blade– Flat, Assembly

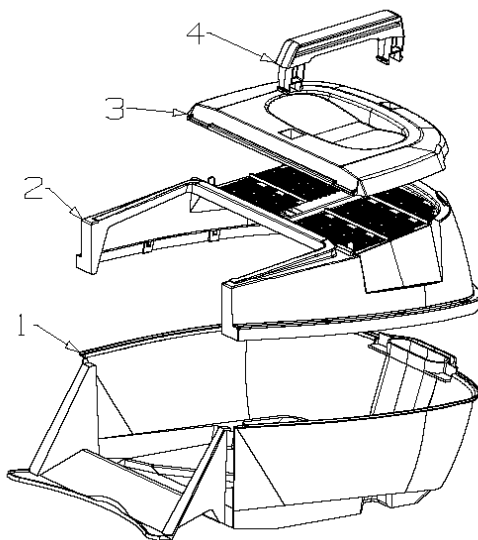


Item	Part No	Description	Qty
1	581707	Bolt– Pivot M10 x 22	4
2	580693	Washer, Wavy 13.4 x 24.2	4
3	503672	Nut, M10 Hex Nyloc Flange	4
4	529150	Blade– Swing Back, 460mm	4
5	980082	Disc Blade– Flat	1
6	567143	Driver– Blade, 22mm"	1
7	500636	Key, Woodruff, 5/8 x 5/32 x 1/4	1
8	503543	Bolt; Hex NF 3/8 x 1.5 NYG8	1
9	502297	Washer– Belleville 10 x 30 x 3	1
10	567332	Plate– Stiffener, Disc Blade Assy	1

### Blade (Flat) & Bolt Sets

- 783692 Bolt Set (4)**  
Includes Items: 4 x 1, 2, 3
- 729150 Blade– Swing Back, 460 (4per)**  
Includes Items: 4 x 1, 2, 3, 4
- 980550 Disc Assy– Flat (4 Blade) 460mm**  
Includes Items: 4 x 1, 2, 3, 4 & 1 x 5, 10

## Catcher Assembly 18"

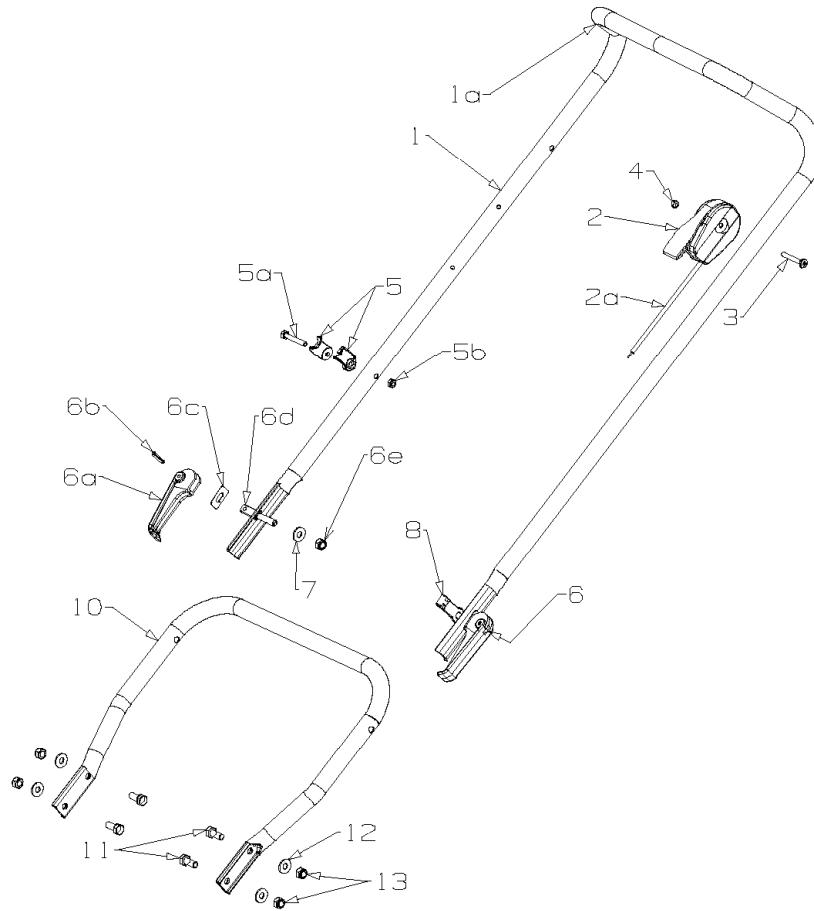


Item	Part No	Description	Qty
1	969454	Catcher– Bottom, 18" Brand Grey	1
2	579117	Catcher– Top, 18" Black	1
3	579120	Catcher– Lid, 18" Black	1
4	579119	Catcher– Handle	1

### Replacement Catcher Assembly Options

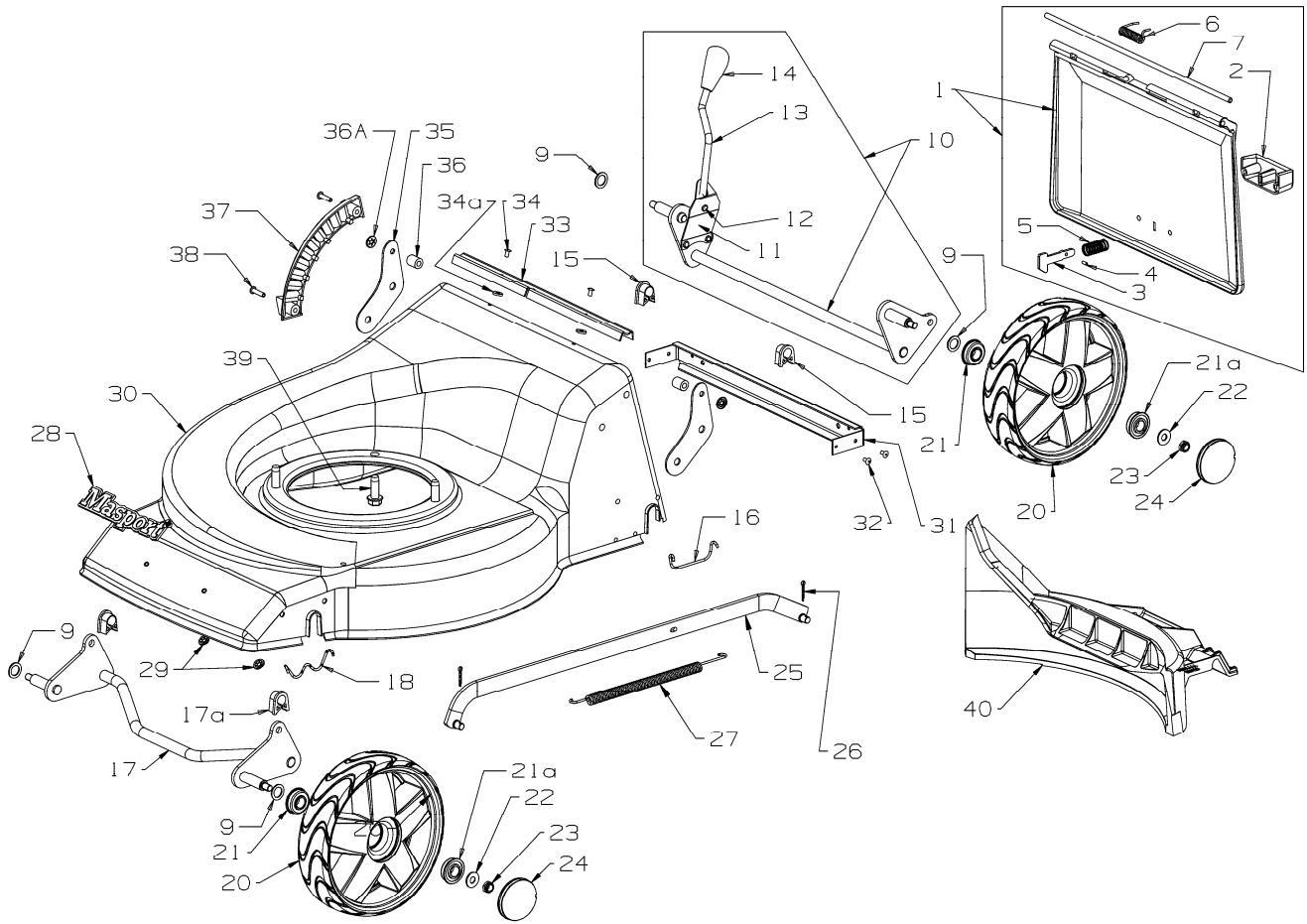
**980670 Catcher Assy Black 18" with Unbranded Base**

**767326 Catcher Assy (Branded) 18" with "Grass Full Indicator" & Grey Base**



Item	Part No	Description	Qty	Not Illustrated	
1/1a	<b>767510</b>	Handle & Sleeve PVC/CHR	1	<b>503054</b>	Tie– Nylon Cable, Black 1
2/2a	<b>583458</b>	<b>Throttle Ctrl &amp; Cable, Wescon</b>	1	<b>579134</b>	Decal, HSG S18 450 1
3	<b>503604</b>	*Screw, Pan M6 x 45	1	<b>579414</b>	Decal, Noise MAS Sil 75db 1
4	<b>501764</b>	*Nut, M6 Hex Nyloc x 6mm thick	1	<b>580778</b>	Stop– Rope 1
5	<b>703856</b>	<b>Comfort Start Kit</b>	1	<b>581180</b>	Instruct, Catcher Assy 1
5a	<b>503794</b>	*Screw, Set M6 x 40	1	<b>582049</b>	Decal, Flap Caution 1
5b	<b>501764</b>	*Nut, M6 Hex Nyloc x 6mm thick	1	<b>582062</b>	Decal, Height Combo 1
6	<b>779755</b>	<b>Cam Lock Assy (1 per)</b>	2	<b>583152</b>	Owner Manual, Masport 1
6a	<b>582419</b>	*Lever– Handle Locking	1		
6b	<b>503369</b>	*Pin, Tension 5.0 x 22	1		
6c	<b>016777</b>	*Washer– Slipper S/S	1		
6d	<b>583041</b>	*Stud– Handle Lock, 61mm	1		
6e	<b>501793</b>	*Nut, M8 Hex Nyloc x 8mm thick	1		
7	<b>501606</b>	Washer, Flat 8 x 19 x 1.6	2		
8	<b>581527</b>	Retainer– Clutch Cable	1		
10	<b>981257</b>	Handle– Lower, “U”, 18” Black	1		
11	<b>501597</b>	Screw, Set M8 x 20	4		
12	<b>501606</b>	Washer, Flat 8 x 19 x 1.6	4		
13	<b>501793</b>	Nut, M8 Hex Nyloc x 8mm thick	4		

When ordering spares: PLEASE QUOTE PART NUMBER & Description, NOT illustrated number. Item Qty = 1 per part unless stated differently.  
**BOLD TEXT** = Assemblies. Text starting with \* = items included in the assemblies & may not be available as a spares item.  
 Determine the left hand or right hand sides by standing in the operating position (standing at the handle).



Item	Part No	Description	Qty	Item	Part No	Description	Qty
1	<b>764242</b>	<b>Flap Assy- Plastic, Latched</b>	1	22	<b>501606</b>	Washer, Flat 8 x 19 x 1.6	4
2	<b>580602</b>	*Handle - Flap	1	23	<b>503831</b>	Nut, M8 Hex Nyloc x 6mm thick	4
3	<b>981650</b>	*Latch- Flap, Barbed	1	24	<b>579198</b>	Hub Cap- Button, Spkd Silver	4
4	<b>502019</b>	*Pin, Tension 3.0x8	1	25	<b>571030</b>	Rod Assy-Connecting, 175mm	1
5	<b>581106</b>	*Spring- Latch, Flap	1	26	<b>501056</b>	Pin, Cotter 2.3dia x 16	2
6	<b>581349</b>	*Spring-Flap	1	27	<b>581463</b>	Spring-Counter Balance	1
7	<b>779732</b>	*Wire-Flap Pivot 6mm x 377mm	1	28	<b>581240</b>	Nameplate- MASPORT	1
9	<b>503301</b>	Washer; Flat 1/2 x 3/4 x 18g	4	29	<b>503150</b>	Clip-Starlock, 5 dia	2
10	<b>783256</b>	<b>Axle Assy- Rear Complete, MSV</b>	1	30	<b>783653</b>	<b>Hsg- Stl 18", ODS TTNM</b>	1
11	<b>580649</b>	*Spring- Leaf	1	31	<b>980608</b>	*Brace-Rear	1
12	<b>503373</b>	*Rivet- F/HD 3/16 x 27/64"	3	32	<b>581369</b>	*Rivet-Pop 4.0 dia x 3.2 73SS5-2	4
13	<b>973681</b>	*Rod- Height Selector (MSV Knob)	1	33	<b>583151</b>	Dust Seal-Flap	1
14	<b>581729</b>	*Knob- Height, Lever Adj, MSV	1	34	<b>581369</b>	Rivet-Pop 4.0 dia x 3.2 73SS5-2	2
15	<b>580668</b>	Bush-Pivot, Rear Axle	2	34a	<b>502170</b>	Washer, Nylon 5 x 12 x 2.0	2
16	<b>579292</b>	Retainer-Axle, Rear, Steel Deck	2	35	<b>567585</b>	Bracket-Flap	2
17	<b>983281</b>	Axle Assy-Front, 200mm	1	36	<b>579733</b>	Spacer-Flap	2
17a	<b>580030</b>	Bush-Pivot, Front Axle	2	36a	<b>503574</b>	Clip- Starlock, 6mm dia	2
18	<b>529674</b>	Retainer-Axle W, Front	2	37	<b>580025</b>	Quadrant-Height Selector	1
20	<b>579197</b>	Wheel Assy-200mm, Spkd Silver (Includes 2 x 551212 per wheel)	4	38	<b>503660</b>	Rivet-Pop 4.8dia x 9.0 73AS6-6	2
21	<b>551212</b>	Bearing- Wheel, Ball	4	39	<b>580453</b>	Screw, S/T 3/8 x 1-1/8 UNC	3
21a	<b>579694</b>	Bearing- Wheel	4	40	<b>583173</b>	Insert- Mulching, 18" Stl	1

When ordering spares: PLEASE QUOTE PART NUMBER & Description, NOT illustrated number. Item Qty = 1 per part unless stated differently. **BOLD TEXT** = Assemblies. Text starting with \* = items included in the assemblies & may not be available as a spares item. Determine the left hand or right hand sides by standing in the operating position (standing at the handle).