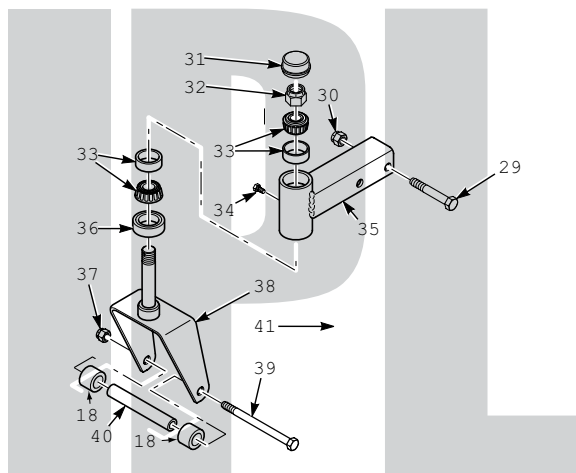


SCAG[®]

POWER EQUIPMENT



ILLUSTRATED PARTS MANUAL



Model SFC Walk-Behind

THIS MANUAL CONTAINS THE ILLUSTRATED PARTS LIST FOR MODELS:

SFC-30-7CV

SFC-30-7CV-CA

SFC-30-7CV-S

SFC-30-7CV-CA-S

with a serial number of

with a serial number of

with a serial number of

with a serial number of

W5300001 to W5399999

W5400001 to W5499999

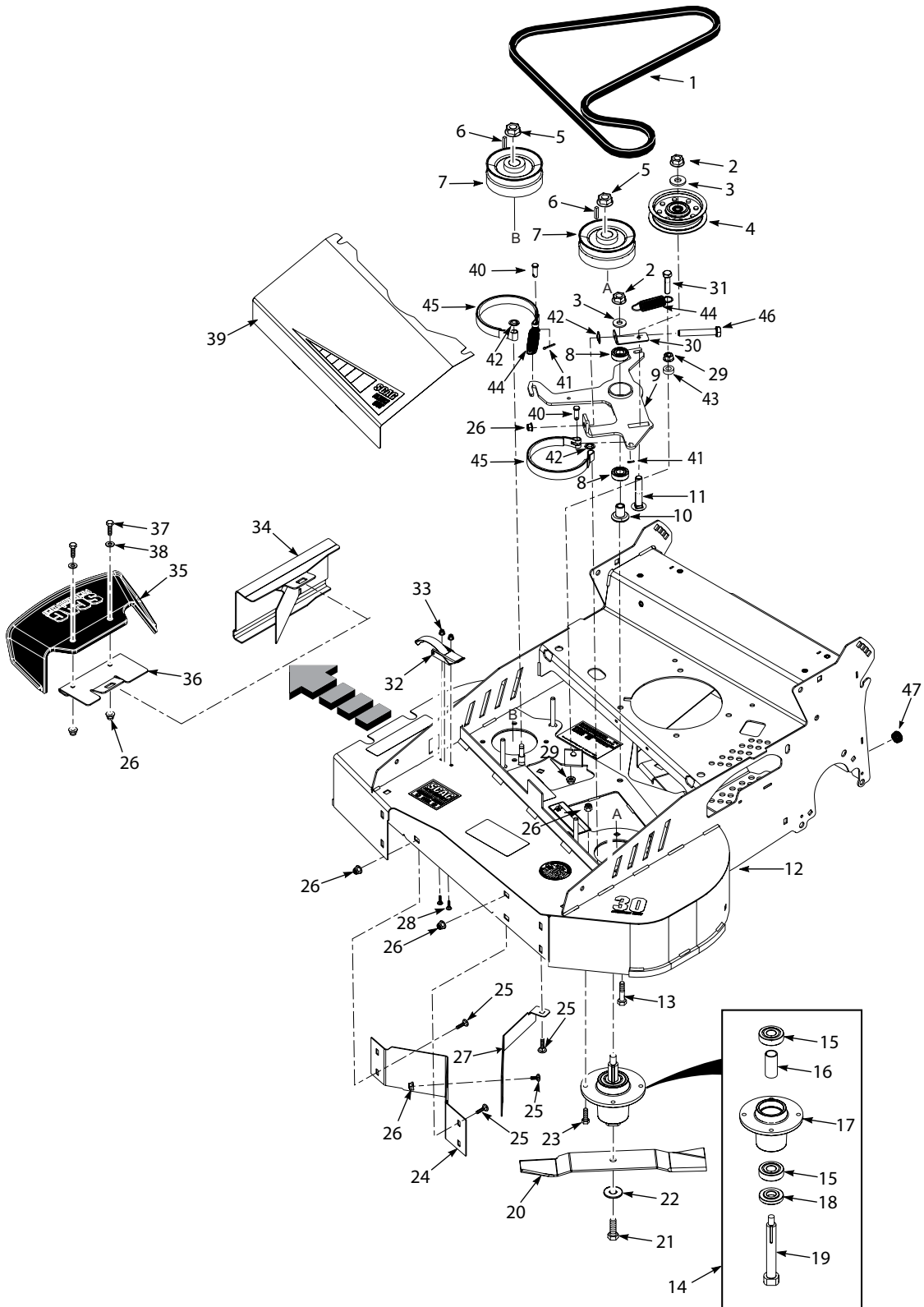
W5500001 to W5599999

W5600001 to W5699999

Table of Contents

CUTTER DECK.....	2
CUTTER DECK LIFT SYSTEM - FIXED WHEEL	4
CUTTER DECK LIFT SYSTEM - SWIVEL WHEEL	6
BAG AND REAR DOOR COMPONENTS.....	8
CHASSIS COMPONENTS	10
HANDLE BAR COMPONENTS	12
REAR DRIVE SYSTEM COMPONENTS	14
ENGINE AND ATTACHING PARTS	16
FUEL SYSTEM (EXCLUDES CA MODELS)	18
MV702 TRANSMISSION	20
REPLACEMENT DECALS AND INFORMATION PLATES	22

CUTTER DECK

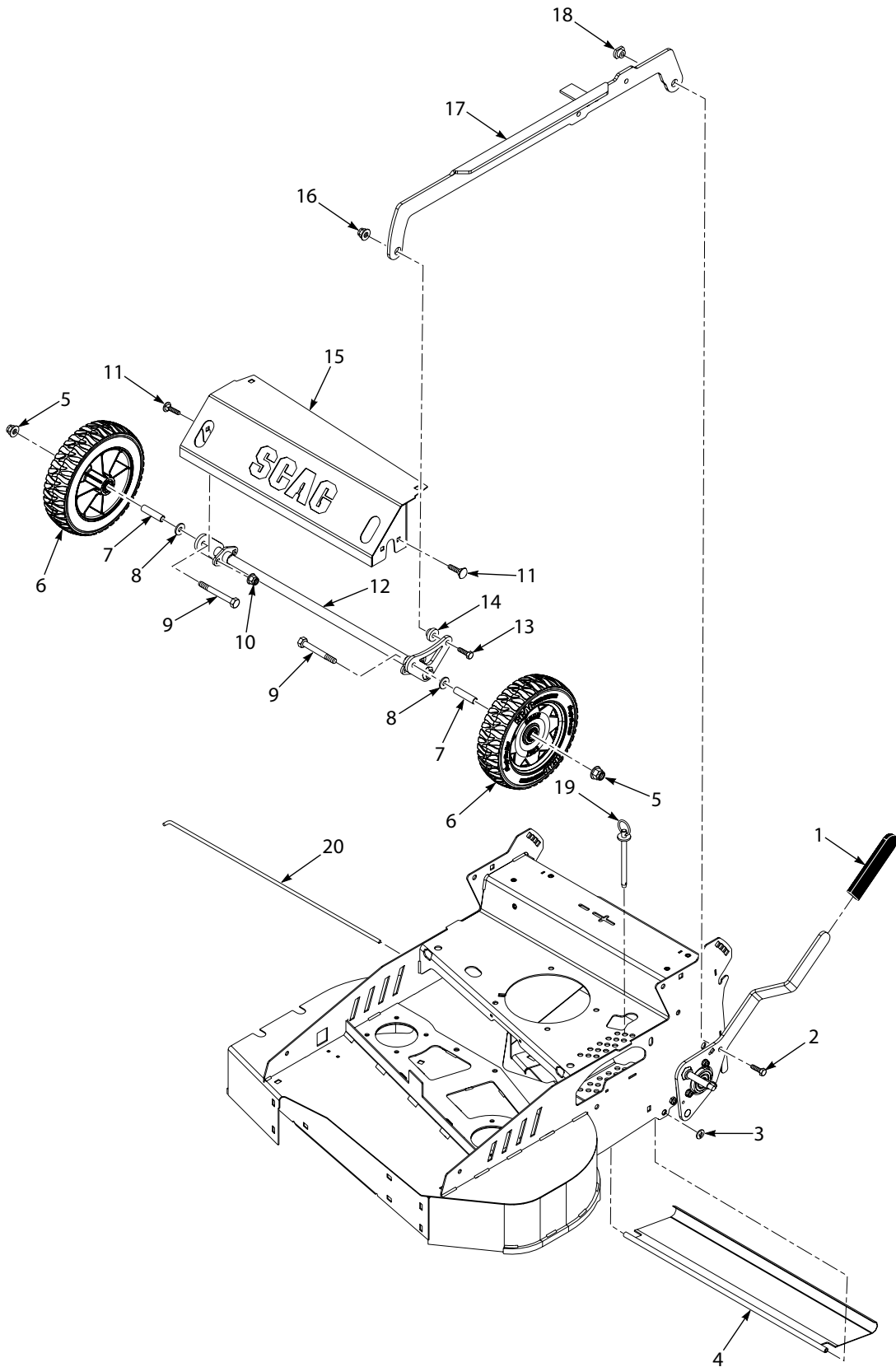


ILLUSTRATED PARTS LIST

CUTTER DECK

Ref. No.	Part No.	Description
1	486708	Belt, Deck
2	04117-02	Nut, 3/8-16 Flange Elastic Stop
3	04043-04	Flatwasher, 3/8-.391 x .938 x .105
4	486869	Pulley, Idler 3-1/2"
5	04112-05	Nut, 1/2-13 Spiral Lock
6	04063-05	Key, 3/16 x 3/16 x 1-1/2"
7	487239	Pulley, Deck
8	48224	Bearing
9	463456	Idler Arm Assembly (incl. #8, #9, #26, #40, #41, #42, #45, #46, #47)
10	43689	Pivot, Idler
11	04003-03	Bolt, Carriage 3/8" - 16 x 2"
12	463488	Cutter Deck w/ Decals
13	04001-45	Bolt, Hex Head 3/8-16 x 2"
14	463271	Spindle Assembly
15	486710	Bearing
16	431115	Spacer, Bearing
17	431112	Housing, Spindle
18	431114	Bearing Protector
19	431113	Spindle Shaft
20	486882	Cutter Blade, 15-1/4"
21	04001-57	Bolt, Hex Head 1/2-13 x 1"
22	04043-08	Flatwasher, 1/2-.562 x .375 x .109 HD
23	04001-09	Bolt, 5/16-18 x 1"
24	428655	Baffle, Rear Discharge
25	04003-12	Bolt, Carriage 5/16-18 x 3/4"
26	04117-01	Nut, 5/16-18 Flange Elastic Stop
27	428654	Baffle, Rear Discharge
28	04003-43	Bolt, Carriage #10-24 x 1/2"
29	04019-04	Nut, 3/8-16 Serrated Flange
30	429087	Bracket, Adjustable
31	04001-136	Bolt, Hex Head 3/8-16 x 1-1/2" Gr.8
32	481309	Latch
33	04021-26	Nut, #10-24 Elastic Stop
34	453217	Weldment, Block-Off Plate
35	463350	Discharge Chute Assembly (incl. #36, #37, #38)0
36	428531	Mounting Bracket, Discharge Chute
37	04001-09	Bolt, Hex Head 5/16-18 x 1"
38	04040-04	Flatwasher, 5/16-.344 x .688 x .065
39	463377	Belt Cover w/Decals
40	04064-22	Pin, Clevis 5/16" x 7/8"
41	04061-02	Pin, Cotter 3/32" x 3/4"
42	04024-03	Nut, Push On
43	43063	Spacer
44	487240	Spring, Brake
45	487231	Brake Band
46	04001-218	Bolt, Hex Head 5/16 - 18 x 2"
47	487156	Rubber Plug, 1"

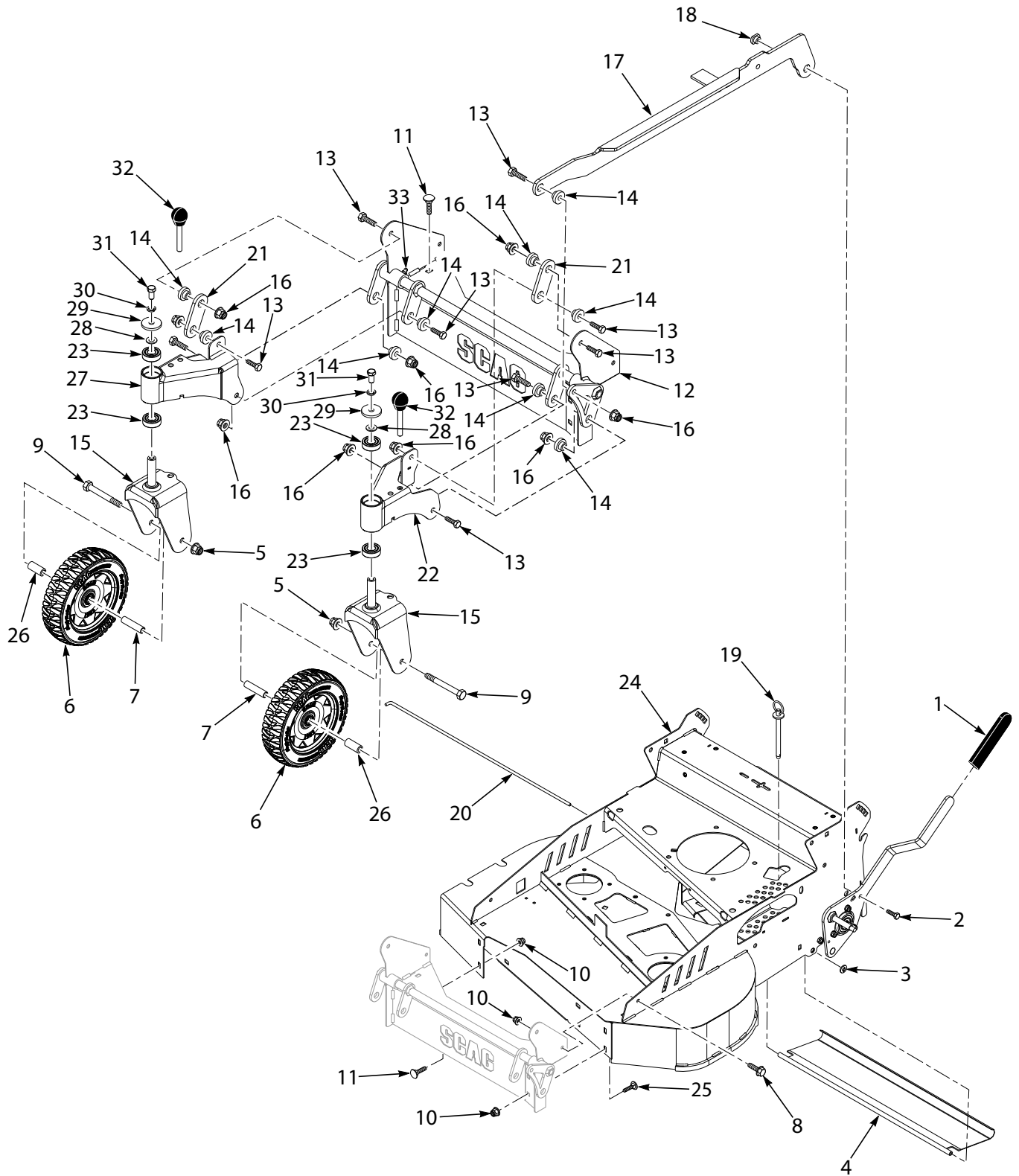
CUTTER DECK LIFT SYSTEM - FIXED WHEEL



CUTTER DECK LIFT SYSTEM - FIXED WHEEL

Ref. No.	Part No.	Description
1	486932	Grip, Deck Lift
2	04001-18	Bolt, Hex Head 3/8-16 x 3/4"
3	04024-03	Push Nut
4	463381	Trail Shield
5	04117-02	Nut, 3/8-16 Flange Elastic Stop
6	486702	Wheel Assembly, Front
	486765	Bearing (x2)
7	431123	Spacer, Front Wheel
8	04043-04	Flatwasher, 3/8-.391 x .938 x .105 HD
9	04001-22	Bolt, Hex Head 3/8-16 x 2-3/4"
10	04117-01	Nut, 5/16-18 Flange Elastic Stop
11	04003-12	Bolt, Carriage 5/16-18 x 3/4"
12	453171	Weldment, Front Axle
13	04001-32	Bolt, Hex Head 3/8-16 x 1-1/4"
14	43086	Bushing
15	453219	Weldment, Front Axle Support
16	04117-02	Nut, 3/8-16 Flange Elastic Stop
17	453212	Weldment Deck Lift
18	431125	Pivot, Deck Weldment
19	04067-14	Ring Pin, 3/8 x 4"
20	44246	Rod, Trail Shield

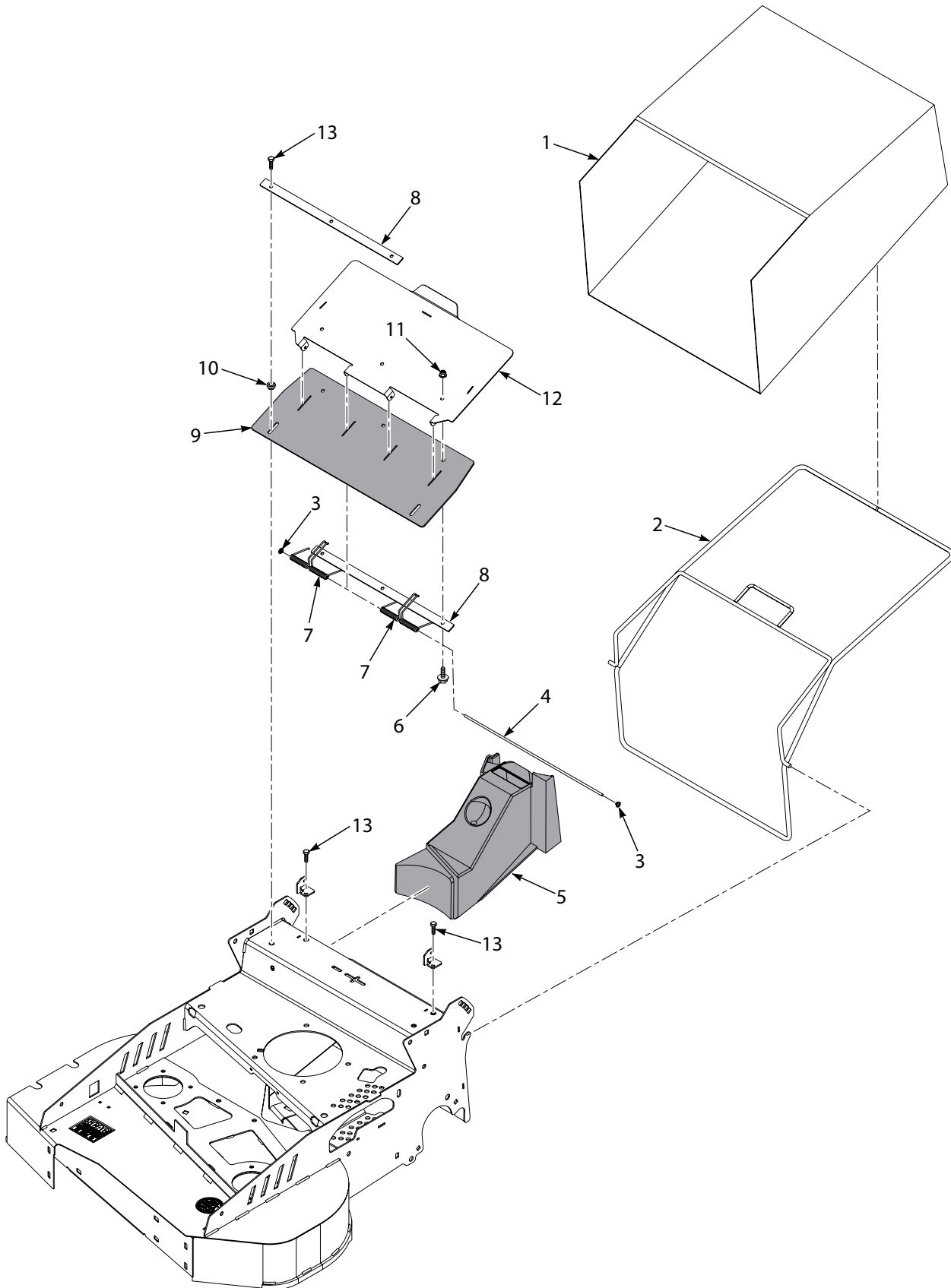
CUTTER DECK LIFT SYSTEM - SWIVEL WHEEL



CUTTER DECK LIFT SYSTEM - SWIVEL WHEEL

Ref. No.	Part No.	Description
1	486932	Grip, Deck Lift
2	04001-18	Bolt, Hex Head 3/8-16 x 3/4"
3	04024-03	Push Nut
4	463381	Trail Shield
5	04117-02	Nut, 3/8-16 Flange Elastic Stop
6	486702	Wheel Assembly, Front
	486765	Bearing (x2)
7	431123	Spacer, Front Wheel
8	04017-17	Bolt, Hex Head 5/16-18 x 1"
9	04001-30	Bolt, Hex Head 3/8-16 x 4"
10	04117-01	Nut, 5/16-18 Flange Elastic Stop
11	04003-12	Bolt, Carriage 5/16-18 x 3/4"
12	453284	Caster Lift Support Weldment
13	04001-32	Bolt, Hex Head 3/8-16 x 1-1/4"
14	43086	Bushing
15	453285	Yoke Weldment
16	04117-02	Nut, 3/8-16 Flange Elastic Stop
17	453283	Weldment Deck Lift
18	431125	Pivot, Deck Weldment
19	04067-14	Ring Pin, 3/8 x 4"
20	44246	Rod, Trail Shield
21	428786	Bracket, Link
22	453286	Yoke Support Weldment, LH
23	48224	Bearing
24	463488	Frame Assembly w/Decals
25	04003-04	Bolt, Carriage 5/16-18 x 1"
26	431047	Spacer
27	453287	Yoke Support Weldment, RH
28	04040-05	Flatwasher, 3/8-.406 x .812 x .065
29	04041-11	Flatwasher, 3/8-.406 x 1.50 x 7 Ga.
30	04030-04	Lockwasher, 3/8"
31	04001-18	Bolt, Hex Head 3/8-16 x 3/4"
32	487102	Pin Assembly, Swivel Lock
33	48114-04	Grease Fitting

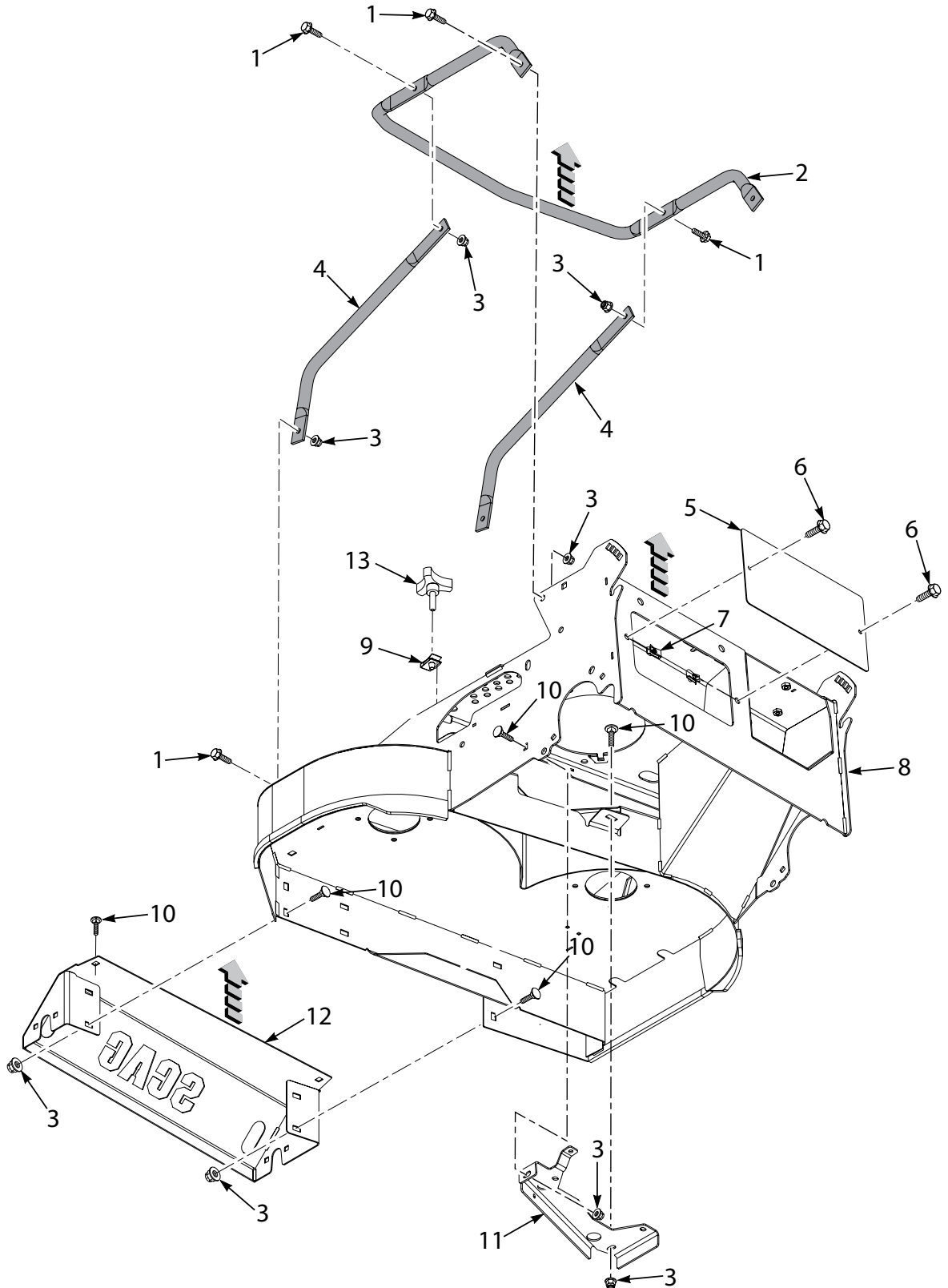
BAG AND REAR DOOR COMPONENTS



BAG AND REAR DOOR COMPONENTS

Ref. No.	Part No.	Description
1	463362	Assembly, GC Bag (incl. #2)
	486772	GC Bag Only
2	453245	Weldment, Bag Support
3	04024-05	Nut, Push-on
4	428520	Pin, Pivot
5	486891	Blockoff Plug
6	04001-01	Bolt, Hex Head 1/4-20 x 3/4"
7	486828	Spring, Rear Cover
8	428675	Plate, Clamp
9	486829	Gasket, Rear Cover
10	431137	Pivot
11	04117-03	Nut, 1/4-20 Flange Elastic Stop
12	453247	Rear Cover Weldment
13	04001-01	Bolt, Hex Head 1/4-20 x 3/4"

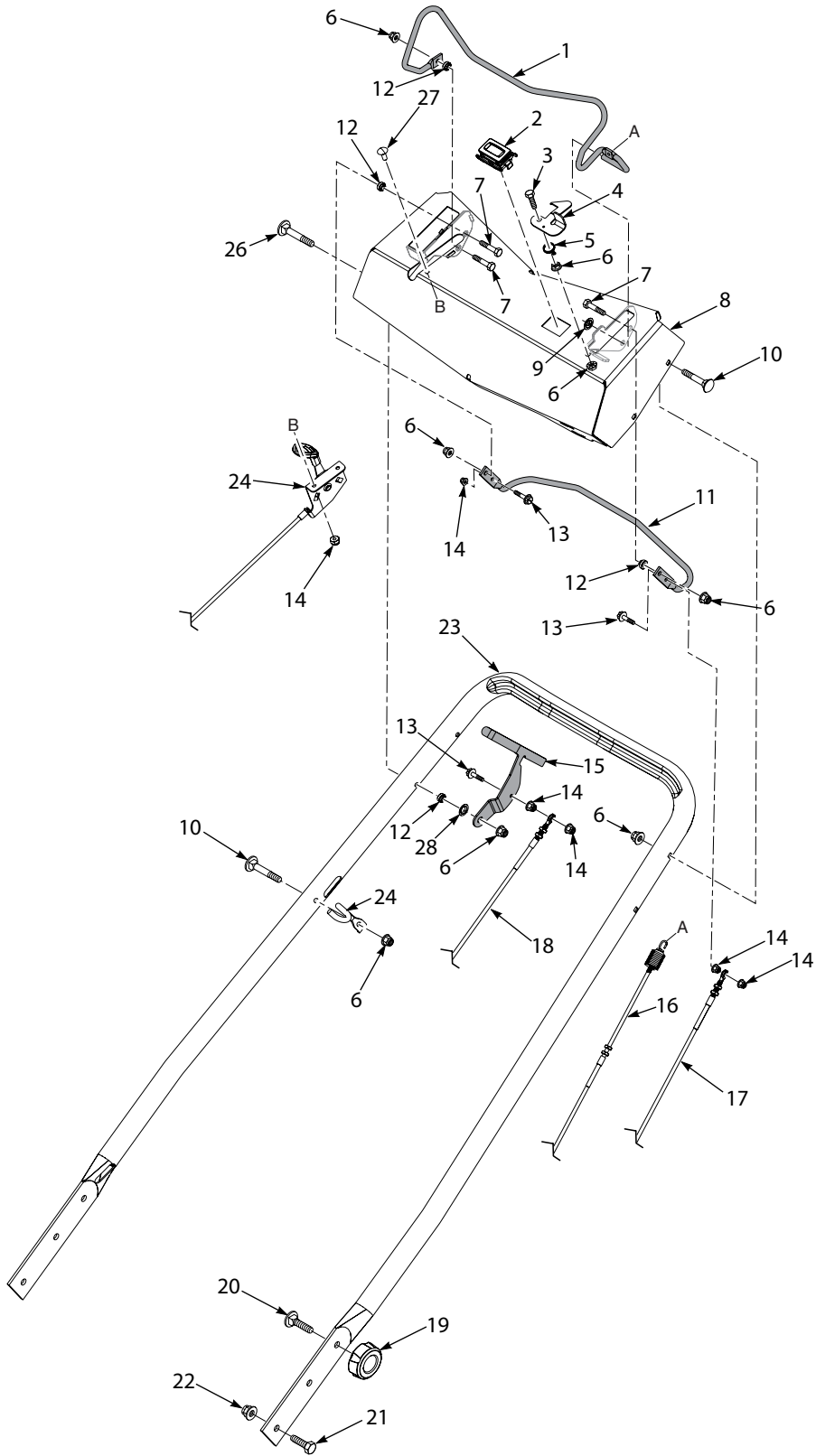
CHASSIS COMPONENTS



CHASSIS COMPONENTS

Ref. No.	Part No.	Description
1	04017-16	Bolt, Hex Head Serrated Flange 5/16-18 x 3/4"
2	428545	Guard, Engine
3	04117-01	Nut, 5/16-18 Flange Elastic Stop
4	428546	Guard Bracket, Side
5	428514	Cover, Transmission Access
6	04017-04	Bolt, Hex Head Serrated Flange 1/4-20 x 1/2"
7	04110-01	U-Nut, 1/4-20
8	463440	Frame Weldment w/Decals
9	04110-03	U-Nut, 3/8-16 U-Nut, 3/8-16
10	04003-12	Bolt, Carriage 5/16-18 x 3/4"
11	428398	Mounting Bracket, Transmission
12	453219	Weldment, Front Axle Support (fixed axle shown)
13	481625-01	Knob w/Stud, 3/8-16 x 1-1/4"

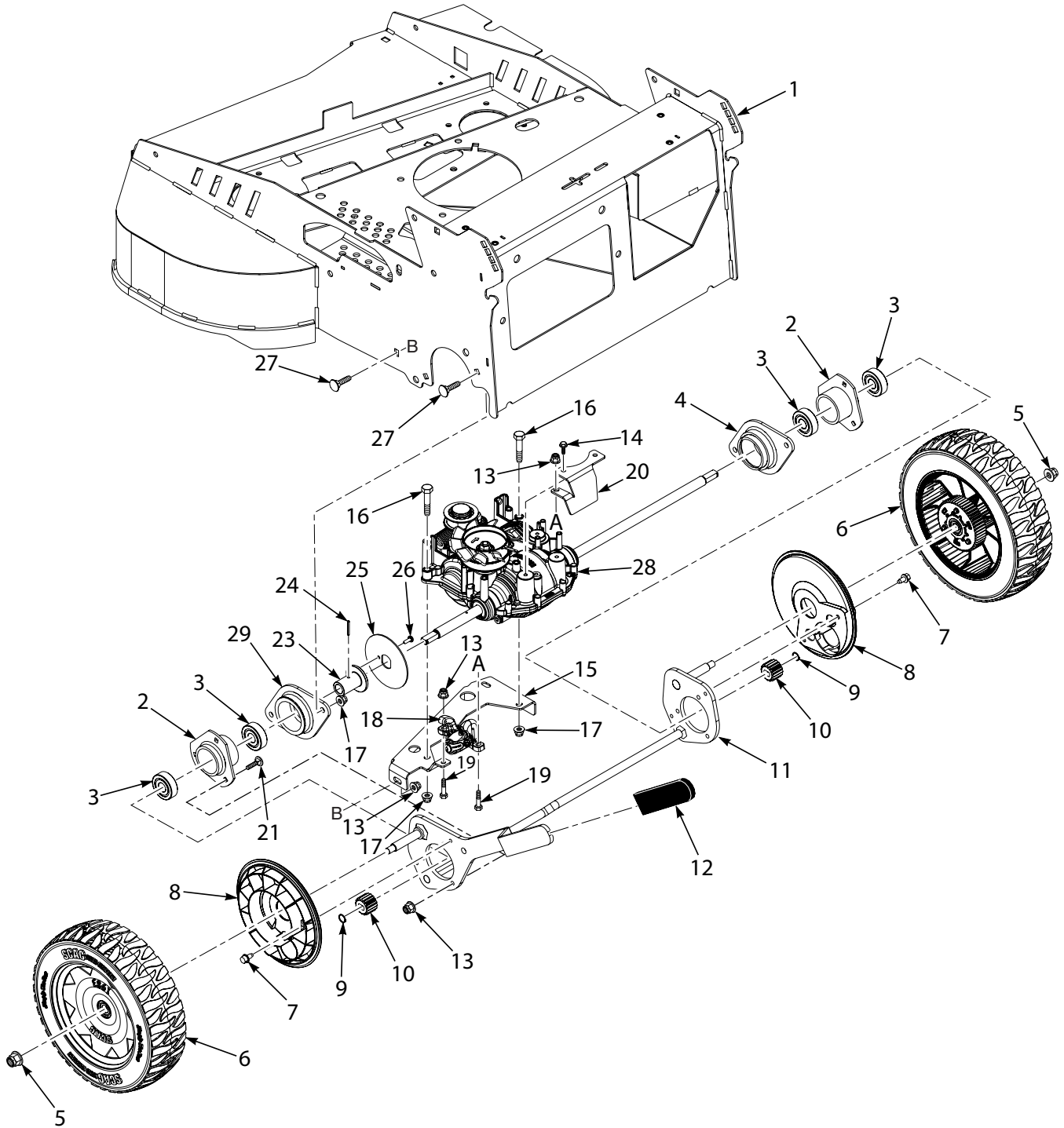
HANDLE BAR COMPONENTS



HANDLE BAR COMPONENTS

Ref. No.	Part No.	Description
1	44234	Control, Deck
2	486912	Hourmeter
3	04001-14	Bolt, Hex Head 1/4-20 x 1"
4	428566	Latch, PTO
5	483507	Spring
6	04117-03	Nut, 1/4-20 Flange Elastic Stop
7	04001-01	Bolt, Hex Head 1/4-20 x 3/4"
8	463376	Instrument Panel w/Decal
9	04024-03	Nut, Push-on 5/16"
10	04003-51	Bolt, Carriage 1/4-20 x 2"
11	44235	Control, Drive
12	431137	Pivot
13	04010-47	Screw, #10-24 x 1" HD Slotted
14	04021-26	Nut, Elastic Stop #10-24
15	428634	Bracket, Brake Handle
16	487246	Cable, Deck
17	486928	Cable, Drive
18	486929	Cable, Brake
19	481885-08	Knob, 3/8-16 x 2.48 OD
20	04003-31	Bolt, Carriage 3/8-16 x 3/4"
21	04013-05	Bolt, Flange 3/8-16 x 3/4"
22	04117-02	Nut, 3/8-16 Flange Elastic Stop
23	486714	Handle
24	486930	Cable, Throttle
25	44201	Guide, Pull Rope
26	04003-52	Bolt, Carriage 1/4-20 x 2-1/2" Full Thread
27	04003-43	Bolt, Carriage #10-24 x 1/2"
28	04032-07	Washer, Curved

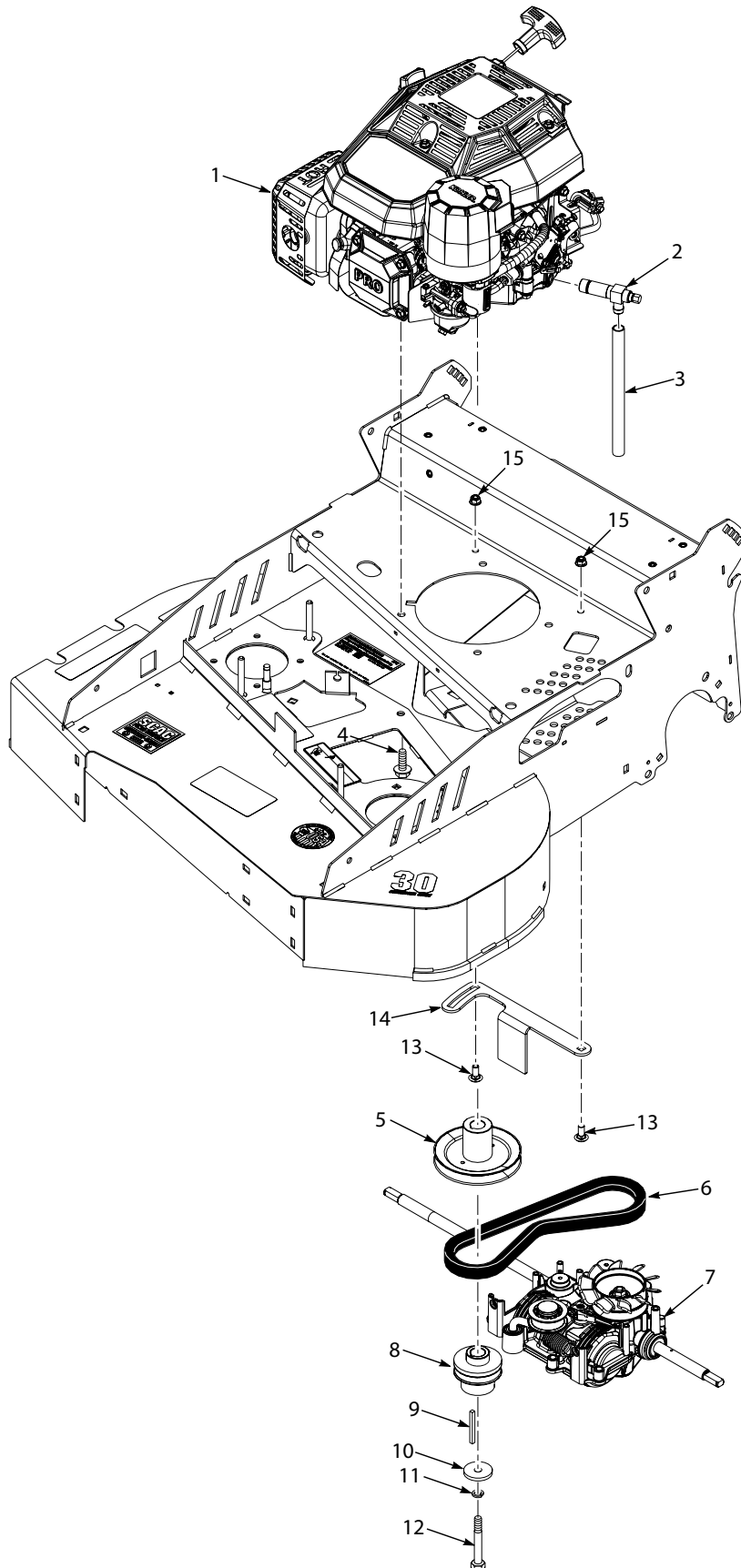
REAR DRIVE SYSTEM COMPONENTS



REAR DRIVE SYSTEM COMPONENTS

Ref. No.	Part No.	Description
1	463488	Frame Weldment w/Decals
2	463320	Axle Bearing Assembly (incl. #3)
3	486709	Bearing
4	463439	Assembly, Axle Pivot - RH
	483453-30	Bearing
5	04117-02	Nut, 3/8-16 Flange Elastic Stop
6	486978	Wheel Assembly, Rear (incl. gear and bearings) 10-1/2" Dia.
	486765	Bearing (x2)
	486907	Gear
7	04011-29	Screw, 1/4-20 x 3/8"
8	486923	Cover, Rear Wheel
9	04050-20	Retaining Ring, 1/2" Ext. HD
10	486719	Gear, Pinion
11	453288	Weldment, Rear Axle
12	486932	Grip, Deck Lift
13	04117-03	Nut, 1/4-20 Flange Elastic Stop
14	04011-35	Screw, 1/4-20 x 3/4" Taptite
15	428398	Mounting Bracket, Transmission
16	04001-11	Bolt, Hex Head 5/16-18 x 1-1/2"
17	04117-01	Nut, 5/16-18 Flange Elastic Stop
18	486924	Caliper, Brake
19	04001-14	Bolt, Hex Head 1/4-20 x 1"
20	428829	Bracket, Brake Caliper
21	04003-02	Bolt, Carriage 1/4-20 x 3/4"
22	463321	Assembly, Axle Pivot - LH
23	463364	Rotor Assembly, Brake (incl.#25, #26)
24	04135-01	Pin, 3mm x 26mm Slotted
25	428643	Disk, Brake
26	04011-16	Screw, #10-32 x 1/2"
27	04003-12	Bolt, Carriage 5/16-18 x 3/4"
28	486697	Transmission, MV702
29	463438	Assembly, Axle Pivot - LH

ENGINE AND ATTACHING PARTS

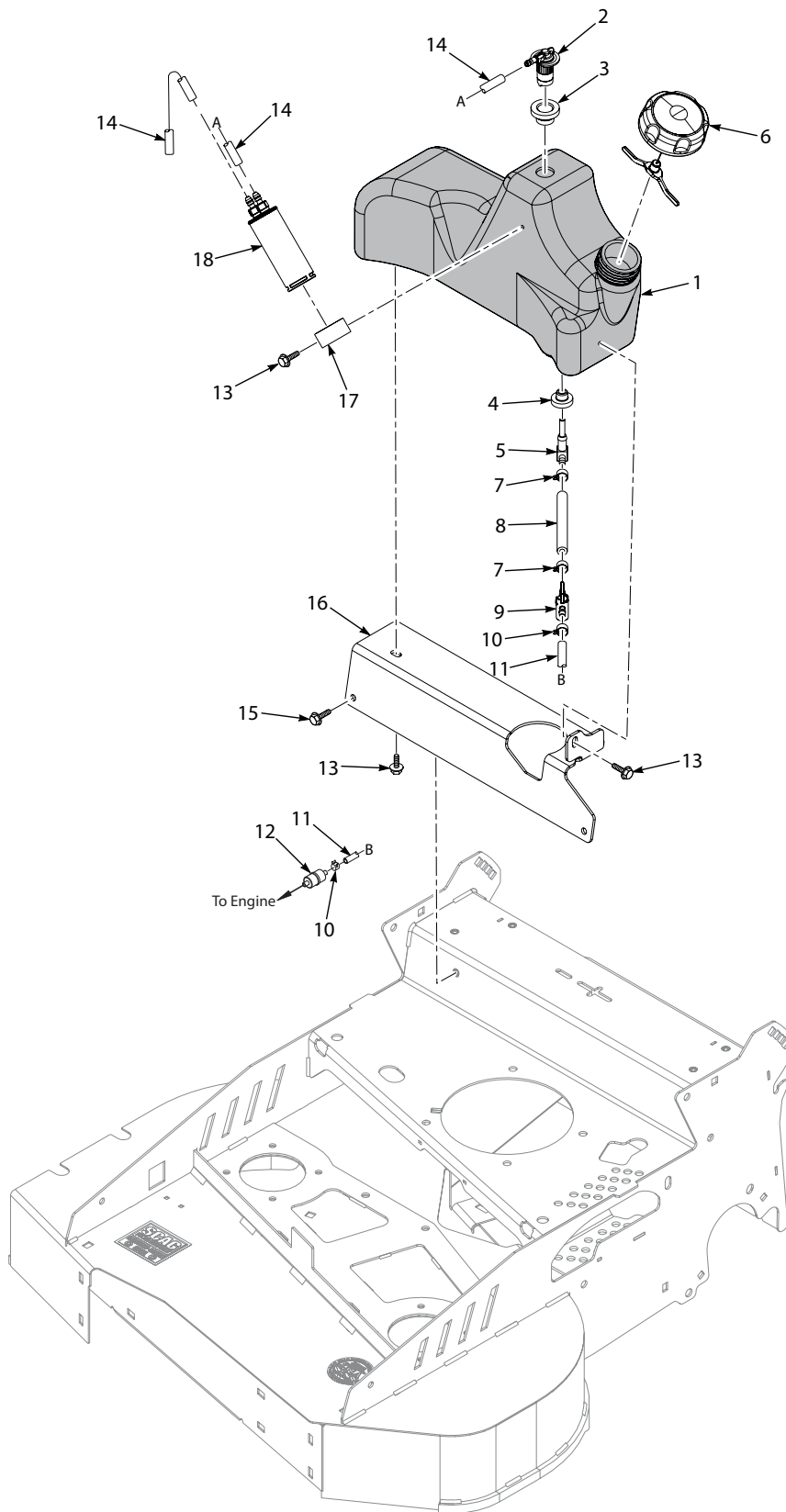


ENGINE AND ATTACHING PARTS

Ref. No.	Part No.	Description
1	*486698	Engine, Kohler CV224
2	482510	Oil Drain
3	483280	Tubing, Oil Drain (order by inch)
4	04011-07	Bolt, Hex Head 3/8-16 x 1-1/4" Self Tap
5	487186	Pulley, 5.20 Dia. - .875 Bore
6	486707	Belt, Transmission
7	486697	Transmission, MV702
8	486757	Pulley, Transmission
9	04043-10	Key, 3/16 x 3/16 x 2"
10	04041-11	Flatwasher, 3/8-.406 x 1.50 x 7 Ga.
11	04030-04	Lockwasher, 3/8" Spring
12	04102-15	Bolt, Hex Head 3/8-24 x 2" w/ Patch Lock
13	04003-12	Bolt, Carriage 5/16-18 x 3/4"
14	429016	Bracket, Belt Guide
15	04117-07	Nut, Flange Elastic Stop 5/16-18

* Available through individual engine manufacturer.

FUEL SYSTEM (EXCLUDES CA MODELS)

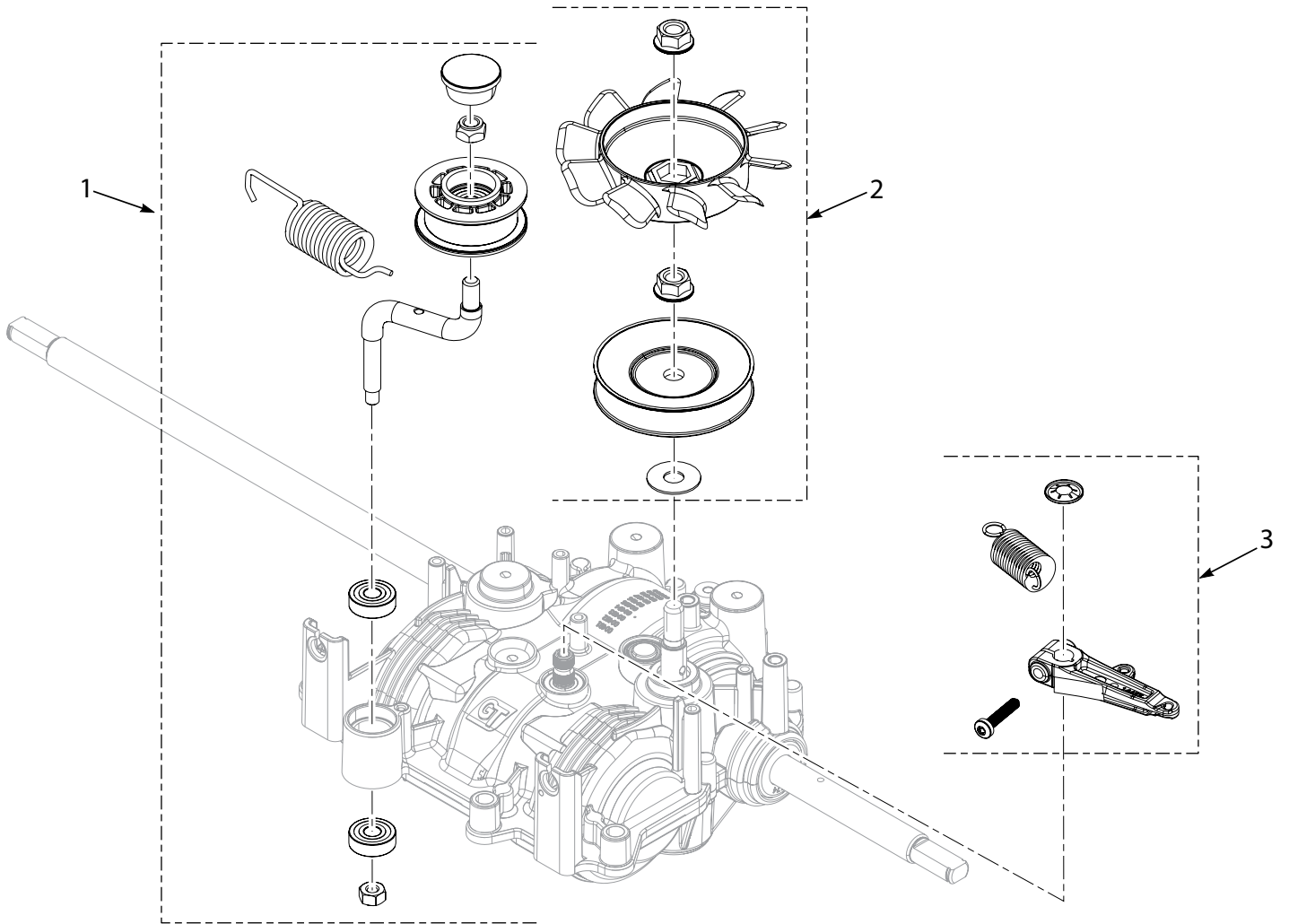


FUEL SYSTEM (EXCLUDES CA MODELS)

Ref. No.	Part No.	Description
1	463366	Fuel Tank Assembly w/Decal (incl. #2, #3, #4, #5)
2	486939	Valve
3	486940	Grommet, Valve
4	482571	Bushing, .56 Viton
5	483748	Elbow w/Screen, 90 Degree
6	486967	Cap, Fuel Tank
7	48059-01	Clamp, Fuel Hose 1/4" ID
8	483617	Fuel Hose, Non-Perm 1/4" (order by inch)
9	486938	Valve, Fuel Shutoff
10	*	Clamp
11	*	Fuel Hose
12	*	Fuel Filter
13	04017-04	Bolt, Hex Head Serrated Flange 1/4-20 x 1/2"
14	484345	Hose, Vapor 3/16 (order by inch)
15	04017-04	Bolt, Hex Head 1/4-20 x 1/2"
16	428715	Bracket, Fuel Tank
17	48030-26	Clamp, 1-1/2" Cable
18	486925	Canister, Carbon 1.28 Gal.

* Available through individual engine manufacturer.

MV702 TRANSMISSION



MV702 TRANSMISSION

Ref. No.	Part No.	Description
1	463371	Transmission Service Kit, Idler Assembly
2	463370	Transmission Service Kit, Pulley & Fan Assembly
3	463372	Transmission Service Kit, Clutch Lever Assembly

REPLACEMENT DECALS AND INFORMATION PLATES



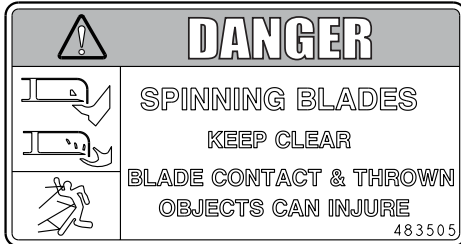
1



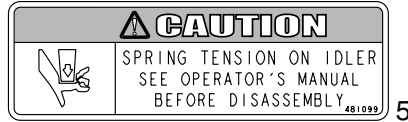
2



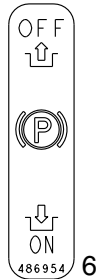
3



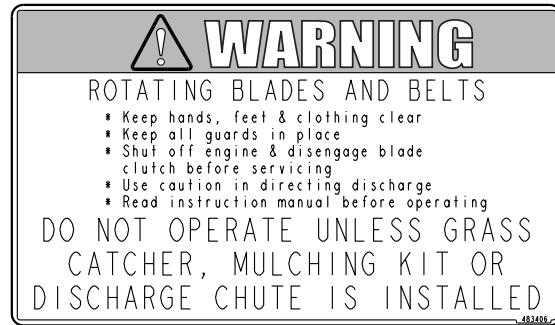
4



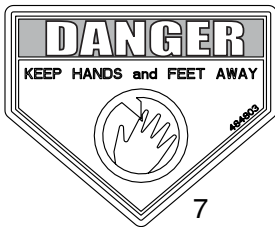
5



6



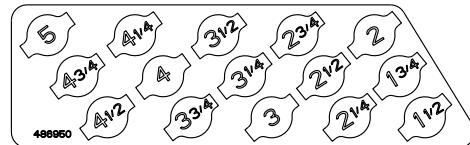
9



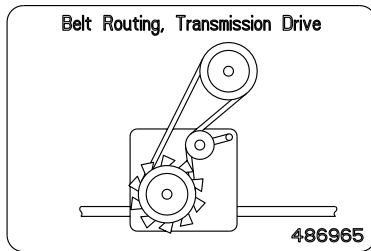
7



8



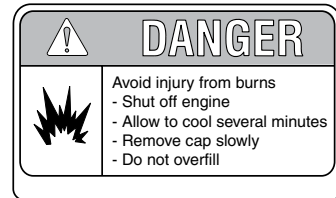
12



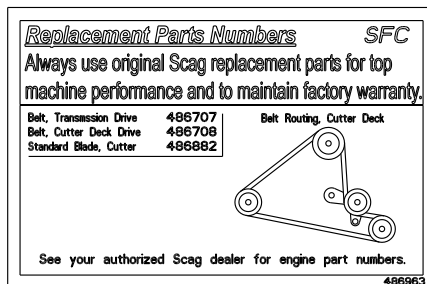
10



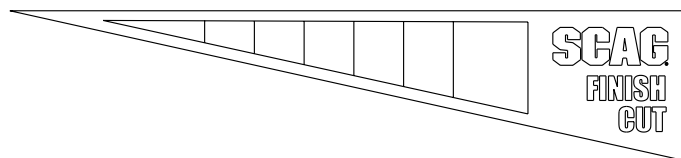
11



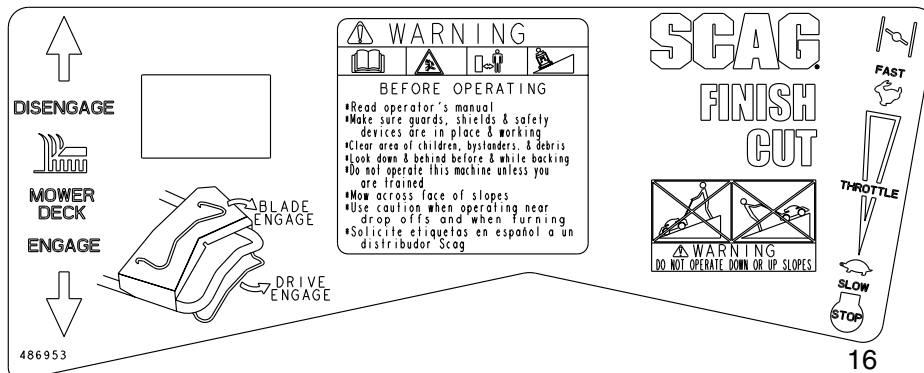
13



14



15



16

REPLACEMENT DECALS AND INFORMATION PLATES

Ref. No.	Part No.	Description
1	483402	Decal, Belt Cover
2	483405	Decal, Warning
3	486943	Decal, Military Grade
4	483505	Decal, Spinning Blades
5	481099	Decal, Spring Loaded Idler
6	486954	Decal, Parking Brake
7	484803	Decal, Danger - Cut Finger
8	485403	Decal, Metalcraft - USA
9	483406	Decal, Knives
10	486965	Decal, Belt Routing
11	486945	Decal, 30 Commercial Grade
12	486950	Decal, Cut Height
13	486942	Decal, Fuel Tank
14	486963	Decal, Replacement Parts
15	486944	Decal, Belt Cover
16	486953	Decal, Instrument Panel