



[www.mey.com.au](http://www.mey.com.au)  
[sales@mey.com.au](mailto:sales@mey.com.au)

**m.e.y. equipment**

## 30'' Twin Clutch Mower



**Early model prior to 991101**

**Current model 991101 onwards**

**Note the distinctive different style of side handles**

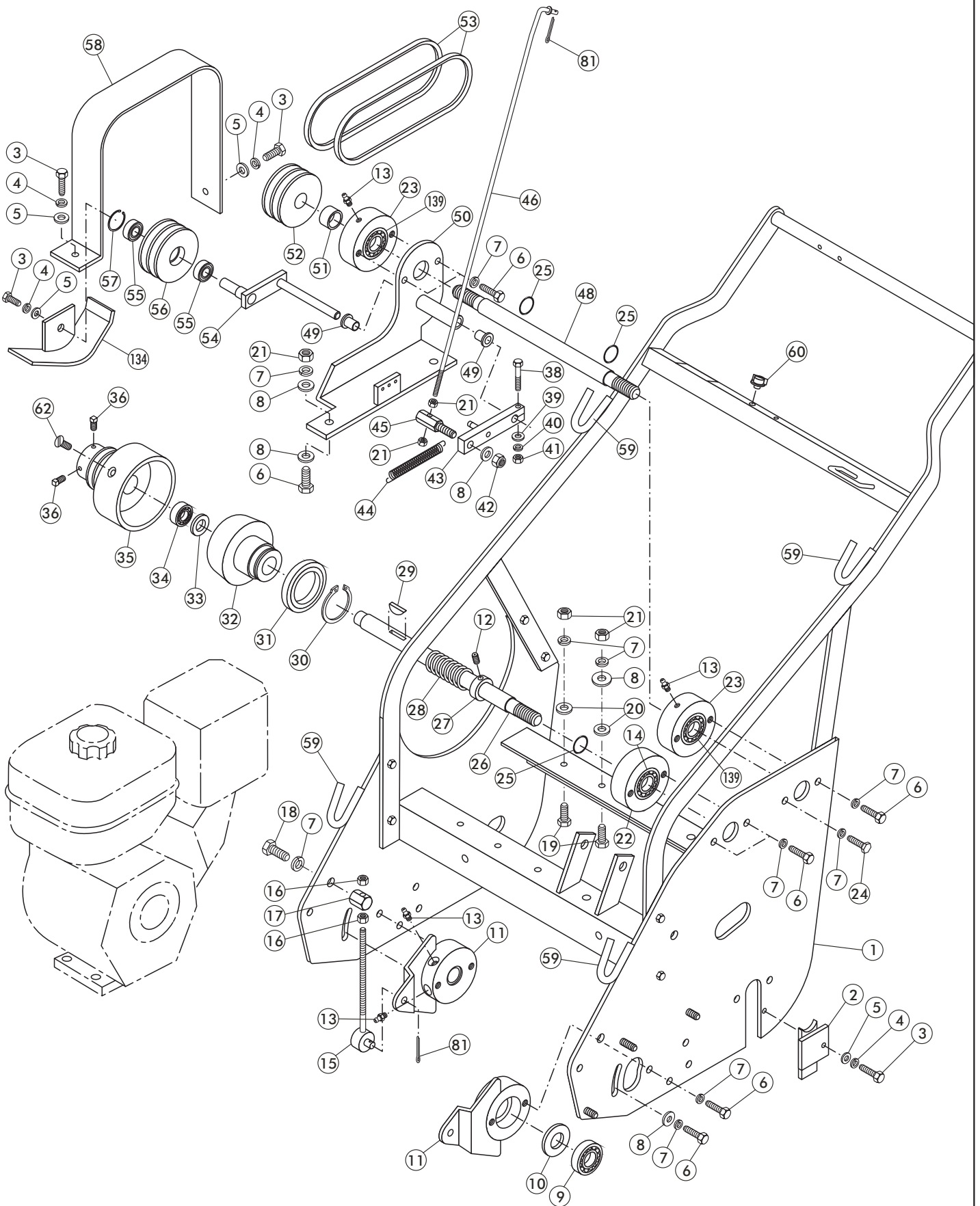
### **PICKING THE CORRECT PARTS:**

- **Serial number is located on the aluminium manufacturer's tag but is also stamped into the front steel cross rail on the chaincase side. The first two numbers are the year and second two numbers are the month of manufacture. E.g. Serial No 991101 was the first mower made in November 1999.**
- **Single clutch models can use the same parts drawing.**
- **Cylinder chain lengths for models prior to 991101 varied over the life of the cylinder. Order a long cylinder chain and a half link so that the length can be adjusted to suit your mower.**
- **Clutch and Drive shafts should be measured and the overall length checked when ordering by part number.**
- **Female clutch cones are normally 25mm but at times 1'' bore was used due to engine shortages. Check bore before ordering.**



# 30" MOWER Sht 1 of 3

m.e.y. equipment



Dwg no	Part no	Description	No
1	MM694	Mower frame 30"	1
2	MM034	Cover plate back roller	1
3	FSS51612B	Screw set 5/16"x1/2" BSW	4
4	FW516S	Washer spring 5/16"	4
5	FW516F	Washer flat 5/16"	4
6	FSS381B	Screw set 3/8"x1" BSW	15
7	FW38S	Washer spring 3/8"	20
8	FW38F	Washer flat 3/8"	8
9	B1205	Bearing 1205	2
10	MW001	Washer bearing protection	2
11	MM051	Housing bearing cylinder	2
11	MM055	Housing complete pair (9,10,11,13,15,16,17,81)	2
12	FSG51612C	Screw grub 5/16"x1/2" UNC	1
13	FM001	Grease nipple	6
14	B6204RS	Bearing 6204RS	1
15	MM826	Cylinder adjuster rod	2
16	MM825	Cylinder adjuster nut	4
17	MM824	Cylinder adjuster anchor	2
18	FSS3812B	Screw set 3/8"x1/2" BSW	2
19	FB38112B	Bolt 3/8"x1 1/2" BSW	4
20	FW1278SR	Washer shim spacer 1/2"x7/8"	4
21	FN38B	Nut 3/8" BSW	8
22	MM050	Housing bearing clutch shaft	1
23	MM052	Housing bearing drive shaft	2
24	MS381B	Screw set 3/8"x1" BSW (machined head)	1
25	FM002	O" ring grease seal	3
26	MM507	Clutch shaft 30" (396mm)	1
26	MM508	Clutch shaft 30" prior to 991100 (346mm)	1
27	MM032	Clutch locking ring	1
28	MM074	Spring tension clutch	1
29	MM033	Clutch shaft woodruff key	1
30	FC45EXT	Circlip retaining 45mm external	1
31	BTK45	Bearing thrust TK45	1
32	MM024	Clutch cone 1" bore male	1
33	MW003	Washer dished clutch shaft	1
34	B1203	Bearing 1203	1
35	MM020	Clutch cone 25mm bore female	1
36	FSG51634C	Screw grub CHCP 5/16"x3/4" UNC	2
38	FB14112F	Bolt 1/4"x1 1/2" UNF	1
39	FW14F	Washer flat 1/4"	1
40	FW14S	Washer spring 1/4"	1
41	FN14F	Nut 1/4" UNF	1
42	FN38NC	Nut nyloc 3/8" UNC	1
43	MM031	Clutch lever idler pulley	1
44	MM073	Spring tension 65mm	1
45	MM027	Clutch drive rod anchor	1
46	MM026	Clutch drive rod	1
48	MM557	Drive shaft 30" (430mm)	1
48	MM558	Drive shaft 30" prior to 991100 (380mm)	1
49	MM003	Bush nylon	2
50	MM002	Bracket base	1
51	MM071	Spacer pulley & sprocket	1
52	MM062	Pulley drive 2A	1
53	AA21	Belt A21	2
54	MM057	Idler pulley pivot shaft assembly standard	1
55	B6002RS	Bearing 6002RS	2
56	MM064	Pulley idler 2A	1
57	FC14EXT	Circlip retaining 14mm external	1
58	MM043	Guard top drive belt standard	1
59	MM686	Catcher hook	4
60	FM003	ON/OFF switch, Honda #35120-Z0D-V81	1
62	FSC51612C	Screw CSK 5/16"x1/2" UNC	1
81	FM004	Pin split	3
134	MM041	Guard idler pulley belt standard	1
139	B1204	Bearing 1204	2

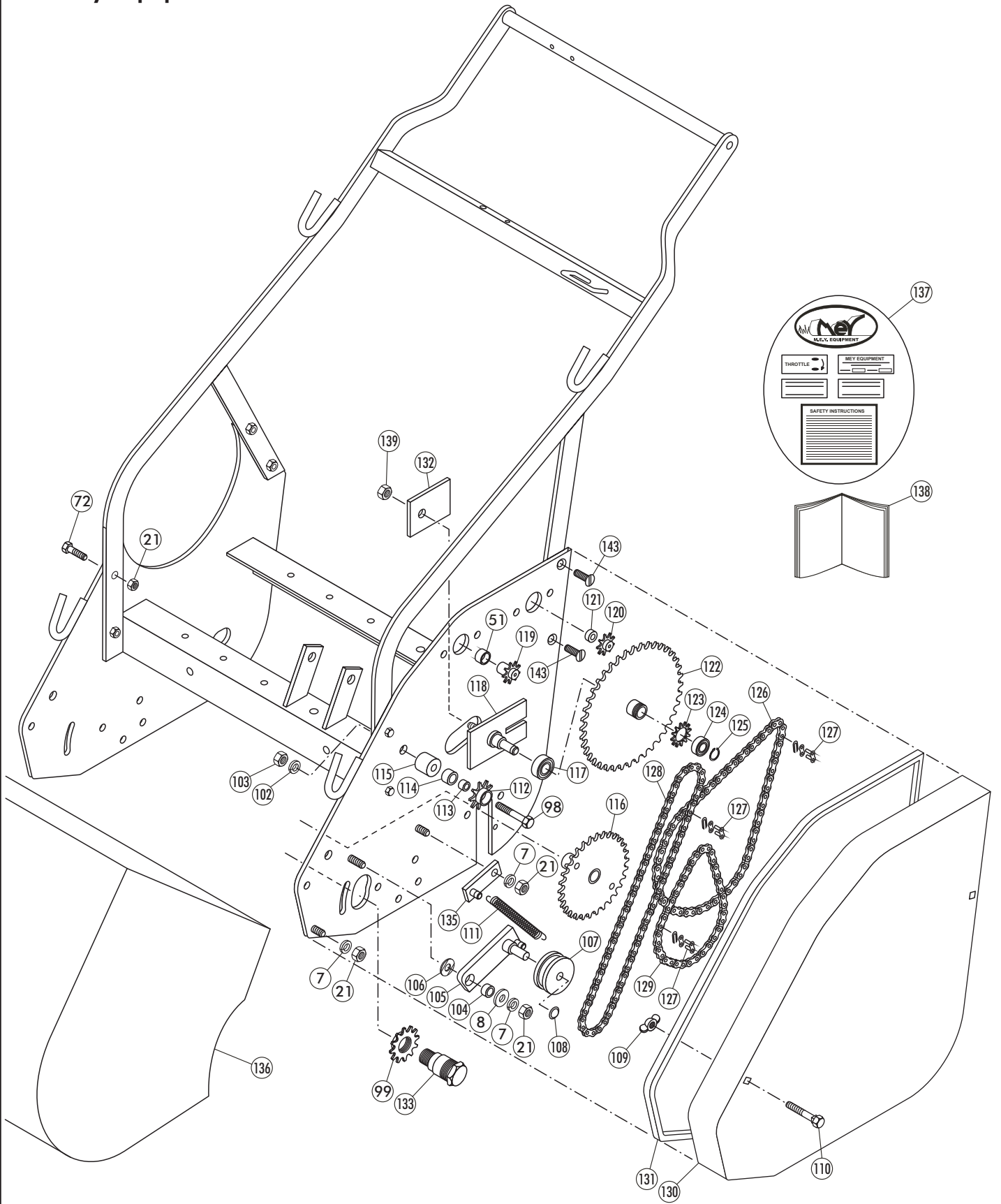


Dwg no	Part no	Description	No
3	FSS51612B	Screw set 5/16"x1/2" BSW	2
4	FW516S	Washer spring 5/16"	4
5	FW516F	Washer flat 5/16"	2
6	FSS381B	Screw set 3/8"x1" BSW	4
7	FW38S	Washer spring 3/8"	10
8	FW38F	Washer flat 3/8"	4
14	B6204RS	Bearing 6204RS	4
18	FSS3812B	Screw set 3/8"x1/2" BSW	6
21	FN38B	Nut 3/8" BSW	6
22	MM053	Housing bearing rear roller	2
22		<i>Prior to 991100 use following parts</i>	
22	MM054	Housing bearing rear roller non chain case side	1
22	MM046	Height adjuster rod	1
22	MM047	Height adjuster rod anchor	1
22	FN38B	Nut 3/8" BSW	2
61	MM941	Blade bottom 30" - 1mm shaver	1
61	MM942	Blade bottom 30" - 1.5mm shaver	1
61	MM943	Blade bottom 30" - 2mm shaver	1
61	MM944	Blade bottom 30" - 3mm shaver	1
61	MM945	Blade bottom 30" - bevel lipped	1
61	MM946	Blade bottom 30" - thick lipped	1
61	MM947	Blade bottom 30" - thin lipped	1
62	FSC51612C	Screw CSK 5/16"x1/2" UNC	12
63	MM968	Blade bottom holder 30"	1
63	MM962	Blade bottom holder 30" prior to 991100	1
64	MM751	Front roller seal	2
65	FC20EXT	Circlip retaining 20mm external	2
67	MM756	Front roller shaft 30"	1
68	MM764	Front roller tube 30"	1
68	MM770	Front roller tube and shaft 30" assembled	1
69	MM804	Cylinder 6 blade 30" standard	1
69	MM810	Cylinder 8 blade 30"	1
69	MM816	Cylinder 12 blade 30"	1
70	MM854	Deflector 30"	1
71	MM857	Deflector tab standard	2
71	MM856	Deflector tab prior to 991100 (welded to frame)	2
72	FSS3834B	Screw set 3/8"x3/4" BSW	6
73	MM750	Front roller cam height adjusters post 991100	2
74	MM758	Front roller side plates	2
74	MM759	Front roller side plates prior to 991100	2
74	MM772	Front roller side plates for teasing rake & scrapers	1
75	MW002	Washer concave 1/2" post 991100	2
75	FW12S	Washer spring 1/2"	2
76	FSS121F	Screw set grade 8 1/2"x1" UNF	4
77	FW38ST	Washer internal star 3/8"	2
78	FN12NB	Nut nyloc 1/2" BSW	1
79	FN12B	Nut 1/2" BSW	1
80	MM028	Clutch fork boss	1
81	FM004	Pin split	2
82	FSS124B	Screw set 1/2"x4" BSW	1
83	FSS5161B	Screw set 5/16"x1" BSW	2
84	FN516B	Nut 5/16" BSW	2
85	MM029	Clutch fork pair	1
86	MM030	Clutch lever	1
87	MM045	Handle grip clutch lever	1
88	MM679	Back roller cam height adjuster	1
89	MM641	Back roller 30"	
89	MM646	Back roller 30" prior to 991100	1
90	MM086	Throttle lever	1
90	MM087	Throttle lever & cable complete	1
91	FN316B	Nut 3/16" BSW	2
92	FB316114B	Bolt roofing 3/16"x1 1/4" BSW	2
93	FB141F	Bolt 1/4"x1" UNF	1
94	MM037	Drive lever spacer bush	1
95	MM036	Drive lever bronze	1
96	FN14NF	Nut nyloc 1/4" UNF	1
97	MM044	Handle grip, pair	1
100	MB121F	Bolt 1/2"x1" UNF (machined head)	2
101	MM085	Throttle cable	1
142	FW12ST	Washer internal star 1/2"	4



# 30" MOWER Sht 3 of 3

m.e.y. equipment



Dwg no	Part no	Description	No
7	FW38S	Washer spring 3/8"	3
8	FW38F	Washer flat 3/8"	1
21	FN38B	Nut 3/8" BSW	11
51	MM071	Spacer pulley & sprocket	1
72	FSS3834B	Screw set 3/8"x3/4" BSW	6
98	FB1260M8	Bolt grade 8 12mm x 60mm	1
99	MM078	Sprocket cylinder 17 tooth	1
99	MM088	Sprocket cylinder 18 tooth ratchet - single clutch	1
102	FW12M	Washer 12mm	1
103	FN12M	Nut 12mm	1
104	MM004	Bush pivot arm chain tensioner	1
105	MM019	Chain tensioner pivot arm	1
106	FW38W	Washer wave 3/8"	1
107	MM060	Pulley chain tensioner	1
107	MM065	Pulley chain tensioner, steel	1
108	FM005	Retaining cap	1
109	FN6M	Nut wing 6mm	2
110	FB6M65CH	Bolt cup head 6mm x 65mm	2
111	MM073	Spring tension 65mm	1
112	MM079	Sprocket cylinder idler 9 tooth	1
113	BIR	Bearing inner race IR12X15X12.5	1
114	BHK1512	Bearing HK1512	1
115	MM001	Boss cylinder idler sprocket	1
116	MM075	Sprocket back roller (LH) 35 tooth	1
117	B6202RS	Bearing 6202RS	1
118	MM083	Sprocket shaft and slide plate of 52 tooth idler	1
119	MM077	Sprocket cylinder 10 tooth	1
120	MM080	Sprocket drive 9 tooth	1
121	MM070	Spacer drive sprocket	1
122	MM082	Sprocket idler 52 tooth	1
123	MM081	Sprocket idler 12 tooth	1
124	B6200RS	Bearing 6200RS	1
125	FC10EXT	Circlip retaining 10mm external	1
126	MM016	Chain idler (31 link), IWIS 1/2 x 3/16	1
127	MM017	Chain link, joiner	1
127	MM015	Chain half link	1
127	MM018	Chain one & half link	1
128	MM012	Chain cylinder (35 link), IWIS 1/2 x 3/16	1
129	MM013	Chain drive (23 link), IWIS 1/2 x 3/16	1
130	MM010	Chain case	1
131	MM011	Chain case seal	1
132	MM035	Cover plate idler sprocket	1
133	MM827	Cylinder sprocket boss (LH)	1
135	MM072	Spring adjusting anchor arm	1
136	MM684	Catcher 30"	1
137	MM084	Stickers, set	1
138	MM000	Instruction manual	1
139	FN58F	Nut 5/8" UNF	1
143	FSC3834C	Screw CSK 3/8"x3/4"UNC	2